



**REHA
PRODUCTS**

REHA



Daily routine means that we perform many activities subconsciously, as their constant repetition has made them become a habit. By contrast, every move an elderly or disabled person makes demands their full concentration. Intelligent products tailored to the needs of people with limited mobility help them to cope with daily living. This brochure outlines some of our rehabilitation products.

At a glance

BATH & TOILET



MOLETT TOILET SEAT RAISERS
PAGE 4



TRILETT 2 TOILET SEAT RAISERS
PAGE 4



DUBASTAR
PAGE 6



MOBALUX
PAGE 7



SWIVEL SUPPORT RAILS
PAGE 8



MCWET WHEELED SHOWER CHAIR & COMMUNE
PAGE 9



HCDA WHEELED COMMUNE
PAGE 10



WHEELED SHOWER CHAIR & COMMUNE
PAGE 11

MOVING



MOBILUS ROLLATOR
PAGE 12

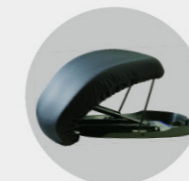


IDEAL ROLLATOR
PAGE 14

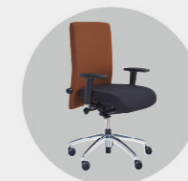
SITTING & LYING



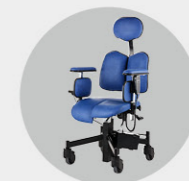
PETERMANN TRANSFER & REPOSITIONING AIDS
PAGE 16



CATAPULT SEAT
PAGE 17



LUMBAR SUPPORT & ARTHRODESIS CHAIR
PAGE 18



MATRIX 1.100
PAGE 20

DAILY LIVING



RAMPS & BRIDGES
PAGE 22



FINGER SPLINT
PAGE 25



TURNTABLE
PAGE 25

WHEELCHAIRS



SERVICE 3.600
PAGE 26



BUDGET 9.050
PAGE 28



FORMAT 3.940
PAGE 30



EUROCHAIR² 2.750
PAGE 32



FOR MORE PRODUCTS AND INFORMATION
PLEASE REFER TO OUR PRODUCT CATALOGUE OR VISIT
WWW.MEYRA.COM

TOILET SEAT RAISERS

The toilet seat raisers enhance safety when using the toilet and are a helpful aid for supporting people with limited mobility.

- + Easy to clean**
- + Easy assembly**
- + High durability**



Molett toilet seat raiser

Order no. 30 11 53 2 (with lid)
Order no. 30 11 52 2 (without lid)

- Increase in seat height by approx. 10 cm
- Anatomical seat with hygiene cut-away sections



Trilett 2 toilet seat raiser

Order no. 30 11 49 2

- Integrated anatomical seat with lid
- Easy adjustment to three different heights
- Robust plastic armrests, swivel up and detachable

	Molett	Trilett 2
Width in mm	380 ¹⁾	570
Depth in mm	430	520
Height in mm	100	530 ²⁾ / 200 ³⁾
Aperture dimensions	210 x 270	215 x 260
Colour	white	white
Weight in kg	1 / 3	
Load capacity in kg	150	130

¹⁾ without screw connection
²⁾ incl. armrests
³⁾ armrests to seat



DUBASTAR

DuBaStar shower chair with backrest

Order no. 30 13 71 2

+ Hygiene cut-away section and armrests included

+ Adjustment to four different heights



DuBaStar shower stool with backrest, folding

Order no. 30 16 72 2

- With hygiene cut-away section
- With armrests
- Adjustment to four different heights



DuBaStar folding shower seat

Order no. 30 16 73 2

- With hygiene cut-away section
- Space-saving fold-up model
- Adjustment to four different heights
- Without fitting kit



DuBaStar shower stool with armrests

Order no. 30 16 70 2

- With hygiene cut-away section
- With armrests
- Adjustment to four different heights



DuBaStar bath board

Order no. 30 12 90 2 (69 cm)
Order no. 30 12 91 2 (74 cm)

- Elevated seating position
- Adjustable feet for a firm fit
- Seat surface with drainage
- Hand grip for more safety

	Shower chair with backrest	Shower chair with backrest, folding	Shower stool with armrests	DuBaStar folding shower seat	DuBaStar bath board
Height	820 – 890 mm	820 – 890 mm	650 – 720 mm	460 – 530 mm	
Seat height	460 – 530 mm	460 – 530 mm	460 – 530 mm	460 – 530 mm	
Width	530 mm	530 mm	530 mm	475 mm	690 mm 740 mm
Depth	530 mm	550 mm	440 mm	485 mm	290 mm
Weight	3.4 kg	3.8 kg	2.5 kg	2.5 kg	2.1 kg 2.4 kg
Max. load	120 kg	120 kg	120 kg	120 kg	130 kg
Protrusion, folded up				11.5 cm	
Min. inside bath dimension¹⁾					480 mm

¹⁾ upper rim

MOBALUX



MoBaLux shower stool

Order no. 30 13 91 2

- Screw-on legs, dismantles for easy transport
- Armrests and backrest can be added



MoBaLux shower stool Telescope

Order no. 30 13 95 2

- Screw-on and telescopic legs
- Dismantles for easy transport
- Armrests and backrest can be added



MoBaLux armrests

Order no. 30 13 92 2

- Easy assembly



MoBaLux backrest

Order no. 30 13 93 2

- Easy assembly



MoBaLux folding shower seat

Order no. 30 13 97 2

- Appealing design
- Anti-slip seat
- Ideal for small showers
- Space-saving fold-up model

	Shower stool	Telescope shower stool	Armrests	Backrests	MoBaLux folding shower seat
Height	50 mm	460 – 530 mm	170 mm	390 mm	420 mm ¹⁾
Width	390 mm	390 mm	incl. shower stool: 500 mm		320 mm
Depth	390 mm	390 mm			800 mm (folded up) 370 mm (folded out)
Weight	2.3 kg	2.6 kg	approx. 0.6 kg	approx. 0.9 kg	1.1 kg
Max. load	130 kg	130 kg			130 kg
Colour	White / polished aluminium	White / polished aluminium			
Footprint	450 x 450 mm				

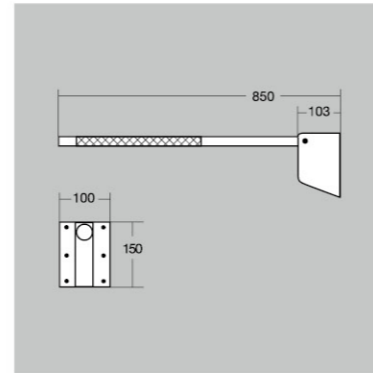
¹⁾ depending on assembly

SWIVEL SUPPORT RAILS

The swivel support rails improve safety in the bathroom, especially when using the toilet. They can be swivelled up without great effort as required.



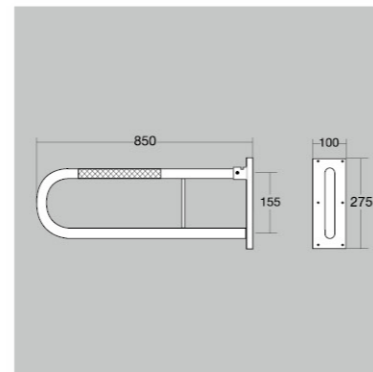
Swivel support rail 5100
Order no. 29 25 12 21 2



- Good for use in WC area
- Swivels up without any effort
- Automatically locks in the upper position
- For use on the right or left



Swivel support rail 5120
60 cm
Order no. 29 25 12 53 2
85 cm
Order no. 29 25 12 52 2



- Swivels up without any effort
- Stirrup shaped grip bar
- For use on the right or left

	Swivel support rail 5100	Swivel support rail 5120
Length	850 mm	600 mm 850 mm
Material	Stainless steel	Stainless steel

MCWET WHEELED SHOWER CHAIR & COMMODE



with 24" drive wheels
Fixed axle
Order no. 80 13 03 9
Quick release axle (detachable 24" wheels)
Order no. 80 13 04 1



With 5" pivot wheels
Order no. 80 13 04 0

The McWet range comprises three high-quality, aluminium wheeled shower and commode chairs. All models comply with the scope of the Medical Aids Index (HMV). The 24" version is available with rigid or quick release axle.

- + **Ball bearing**
low-friction and maintenance free
- + **Swivel up armrests**
- + **Anatomically-shaped seat**
and firm back cushion
- + **Detachable back**
for easy transport



Insertable cushion standard
Spare parts
Seat cushion complete with insert and bucket rails
Order no. 291 020 003
Insertable cushion for hygiene aperture
Order no. 30 10 212



Height-adjustable and fold-in legrests

	24"	5"
Width	630 mm	540 mm
Length with legrest	820 mm ¹⁾ 1,020 mm ²⁾	690 mm ¹⁾ 890 mm ²⁾
Height	950 mm	925 mm
Seat height	530 mm	530 mm
Seat width	430 mm	430 mm
Seat depth	420 mm	420 mm
Seat surface	430 x 420 mm	430 x 420 mm
Weight	17.5 kg	13 kg
Max. load	120 kg	120 kg
Max. height for clearance ³⁾	450 mm	435 mm

¹⁾ folded in
²⁾ folded out
³⁾ 5 cm higher with height adapter

Accessories

- Commode bucket
Order no. 206 700 200
- Height adapter 5 cm, 24" (kit)
Order no. 80 13 05 9
- Height adapter 5 cm, 5" (kit)
Order no. 80 13 06 1

HCDA WHEELED COMMODE

The chrome-plated version of the HCDA wheeled commode features a particularly durable and robust frame. The impact-resistant surface scores especially well in environments where a high level of cleanliness is crucial. The standard equipment includes a white seat pan cut out in the middle section, a padded, closed seat cushion and a toilet bucket.



HCDA wheeled commode

Order no. 83 08 09 8
With central locking
 Order no. 85 13 51 5
Seat width 48 cm
 Order no. 86 03 14 2



+ **Available with central locking**
 for front wheels as an option

+ **Detachable backrest**

+ **Armrests fold down**
 automatically lock into place
 when pulled up

+ **Suitable for standard toilet bowls**
 Max. height for clearance 41,5 cm
 (without commode bucket)



5" wheels, rear wheels with lock



Also available as XXL version

ALSO AVAILABLE AS
 XXL VERSION

	HCDA
Width	560 mm
Height	990 mm
Depth, incl. legrests	950 mm
Seat width / seat depth	450 / 430 mm
Back height	440 mm
Lower leg length	450 - 500 mm
Max. height for clearance	415 mm 465 mm ¹⁾
Hygiene aperture	220 x 240 mm
Weight	14 kg
Load capacity	120 kg
Colour	Chrome

¹⁾ with height adapter 5 cm

Accessories

Commode bucket with lid
 Order no. 206 700 200
Height adapter 50 mm (4 parts incl. attachment kit)
 Order no. 10 66 86 8

MORE
 BATHROOM & TOILET
 PRODUCTS AND
 INFORMATION
 AVAILABLE AT
 WWW.MEYRA.COM

WHEELED SHOWER CHAIR & COMMODE



With 5" wheels
Footboard (seat width 35 cm)
 Order no. 30 10 02 2
Footboard (seat width 40 cm)
 Order no. 30 10 76 2
Legrests (seat width 35 cm)
 Order no. 30 10 03 2
Legrests (seat width 40 cm)
 Order no. 30 10 77 2



With 24" wheels
Footboard (seat width 35 cm)
 Order no. 30 10 00 2
Footboard (seat width 40 cm)
 Order no. 30 10 73 2
Legrests (seat width 35 cm)
 Order no. 30 10 01 2
Legrests (seat width 40 cm)
 Order no. 30 10 75 2

The high-grade model 1.073 is available with seat width of 35 or 40 cm, and with either separate footrests or a one-piece footplate. The side panels can be lowered to the height of the seat surface for easy transfer. The frame is made of corrosion-resistant aluminium with plastic coating, the connecting elements are in stainless steel, seat, back and footplates in high-strength plastic.

+ **Transverse push handle**

+ **Anatomically-shaped seat**
 with hygiene cut-away section
 (18.5 x 27.5 cm)

+ **Easy to dismount**
 without tools

+ **For moving over toilet bowls**



One-piece footboard



Legrests with separate footrests

Accessories

Toilet unit
 Order no. 30 10 59 2
Insertable cushion, seat width 40 cm
 Order no. 30 10 38 2
Insertable cushion, seat width 35 cm
 Order no. 30 10 37 2

	Seat width between armrests: 350 mm				Seat width between armrests: 400 mm			
	24" footboard	24" legrests	5" footboard	5" legrests	24" footboard	24" legrests	5" footboard	5" legrests
Seat width between the armrests	350 mm	350 mm	350 mm	350 mm	400 mm	400 mm	400 mm	400 mm
Seat depth	410 mm	410 mm	410 mm	410 mm	410 mm	410 mm	410 mm	410 mm
Width	610 mm	610 mm	460 mm	460 mm	650 mm	650 mm	510 mm	510 mm
Length	1,000 mm	1,000 mm	790 mm	790 mm	1,000 mm	1,000 mm	790 mm	790 mm
Length, without legrests	760 mm	760 mm	540 mm	540 mm	760 mm	760 mm	540 mm	540 mm
Height	930 mm	930 mm	930 mm	930 mm	930 mm	930 mm	930 mm	930 mm
Seat height	510 mm	510 mm	510 mm	510 mm	510 mm	510 mm	510 mm	510 mm
Max. height for clearance with toilet equipment	400 mm	400 mm	400 mm	400 mm	400 mm	400 mm	400 mm	400 mm
Max. height for clearance without toilet equipment	440 mm	440 mm	440 mm	440 mm	440 mm	440 mm	440 mm	440 mm
Weight	18 kg	18 kg	13 kg	13 kg	18 kg	18 kg	13 kg	13 kg
Load capacity	100 kg	100 kg	100 kg	100 kg	100 kg	100 kg	100 kg	100 kg

MOBILUS PREMIUM ROLLATOR

SAFE
AND STABLE
LOAD CAPACITY
UP TO 150 KG



Mobilus rollator, silver
Order no. 30 63 00 2

Mobilus rollator, violet
Order no. 30 65 00 2

Mobilus rollator, white
Order no. 30 67 00 2

Mobilus rollator, black
Order no. 30 68 00 2

THE LIGHTWEIGHT ROLLATOR

With its easy handling and weighing just 7.3 kg, the Mobilus is the ideal companion in all aspects of daily living. The high-quality aluminium frame is available in black, white, violet and silver. Besides an integrated walking stick holder, easy-action brakes with locking function, a comfortable mesh seat, ergonomic handles and a shopping net, an extensive range of accessories is available for retrofit. Folding to just 23 cm, it can be stowed away almost anywhere.

Functions & Details

Walking stick
holder standard



Smooth-running
wheels



Comfortable
mesh seat



Easy-action
parking brake



Specifications

	Mobilus
Seat width between handles	430 mm
Push handle height	790 – 920 mm
Seat height	620 mm
Width	570 mm
Depth	650 mm
Size when folded	230 mm
Weight	7.3 kg
Max. load	150 kg

Accessories	Order no.
Back strap	30 63 01 2
Phone pouch incl. bracket	30 63 01 3
Small pouch incl. bracket	30 63 01 4
Bottle holder without bottle	30 63 01 5
Shopping bag for shopping net	30 63 01 6
Bracket for bicycle lock	30 63 02 1

IDEAL ROLLATOR

WITH ROBUST
TUBULAR STEEL
FRAME
—
XXL VERSION
AVAILABLE



Ideal rollator, silver
Order no. 30 61 98 2

Back strap
Order no. 29 61 98 02 1

Walking aid holder (additional)
Order no. 80 22 23 6

THE STANDARD IN ITS CLASS

The standard steel rollator for indoor and outdoor use meets the requirements of the Medical Aids Index (HMV). The tubular steel frame gives the folding rollator great stability and sturdiness. Infinitely variable adjustment of the handle height enables individual adaptation to the size of the user, and the rheumatic/parking brake makes the rollator a safe companion.

Functions & Details

Incl. tray and
basket



With pre-
assembled
walking aid
holder



PU tyres



Rheumatic/
parking brake



MORE
PRODUCTS AND
INFORMATION
AVAILABLE AT
—
WWW.MEYRA.COM

M
MOVING

Specifications

	Ideal rollator
Width	590 mm
Depth	570 mm
Handle height	790 - 970 mm
Seat width	390 mm
Seat height	620 mm
Size when folded	270 x 590 x 850 mm
Weight	10.2 kg ²⁾
Load capacity	130 kg
Colour	Silver
Weight	8.9 kg ¹⁾

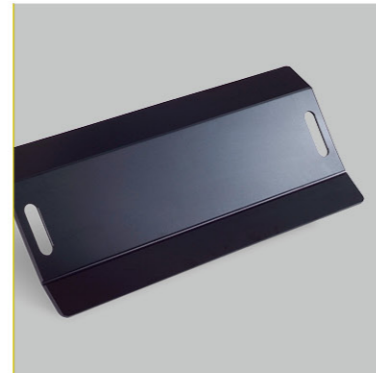
¹⁾ without basket and tray
²⁾ with basket and tray

PETERMANN TRANSFER & REPOSITIONING AIDS

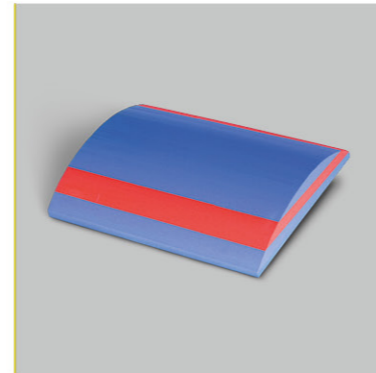
A wide range of transfer and repositioning aids MADE IN GERMANY. High-quality products for a wide range of applications to support people in need of care. Including sliding mats, sliding transfer boards, lifting slings, turntables, transfer sheets and much more. All aids are extremely durable and robust.



Sliding mats



Sliding transfer boards



Anti-slide cushion



Transfer sheets



Pull-up and lifting aids



Evacuation system

CATAPULT SEAT UPLIFT

- +** Lifts 80 % of the body weight
- +** Assists in standing up
- +** Robust spring mechanism
- +** Anti-slip coating on the underside
- +** Configurable in five body weight classes



Catapult seat Uplift
Order no. 38 01 30 0
Order no. 38 01 30 1

Catapult seat Uplift	
Seat height	+ 25 mm
Seat surface	400 x 450 mm
Max. load	100 kg
Body weight	43, 55, 68, 82, 100 kg
Weight	3.7 kg

The Alpha programme

Outstanding benefits for more hygiene and patient safety:

- high load capacity up to 200 kg
- Textile sliding mat washable up to 90° C
- Made in Germany
- TÜV tested quality

MORE
PRODUCTS AND
INFORMATION
AVAILABLE AT
WWW.MEYRA.COM

1.200

LUMBAR SUPPORT & ARTHRODESIS CHAIR

ALSO AVAILABLE WITH ARTHRODESIS SEAT



Order no. 1.200

MODERN OFFICE SWIVEL CHAIR WITH LUMBAR SUPPORT OR ARTHRODESIS SEAT

The range of options meets all requirements for optimum ergonomics in the workplace. These include individually adaptable components for body-contoured sitting, synchronous mechanism for dynamic sitting, back pressure adjustment, ergonomically shaped seat and back section. Relieving lumbar support, various armrest options, a headrest and different seat heights are optionally available. Attractive fabrics and colours round off the programme.



Cruciform base

- Good foot space
- Optionally available in aluminium black or aluminium silver
- Extra large rollers with 60 mm diameter can easily move across slightly uneven surfaces
- Also available in plastic or aluminium, black

Rollers

- Available:
- for carpet flooring with brake locking (also available without locking)
 - for hard floors
 - for hard floors with brake locking
 - without rollers, as carpet gliders



Armrests

Width adjustment not possible with arthrodesis chair

Armrest 4403 (centre)

Not adjustable

Armrest 4408 (top left)

Height and width adjustable

Armrest 4411 (top right)

Height and width adjustable (not suitable for arthrodesis chair)

Armrest 4412 (bottom left)

Height, width and depth adjustable, swivelling

Armrest 4418 (bottom right)

Height, depth and width adjustable



Backrest design

Schukra backrest

- Ergonomically shaped
- Easy back height adjustment while seated
- Back pressure adjustment, adaptable to upper body weight
- Permanent contact between back and backrest
- Optional: Lumbar support (Schukra) for additional support of the spine
- Optional: Headrest

Specifications

	Cover material Textile	Cover material Imitation leather	Cover material Cowhide nappa leather
Seat cushion depth	460 mm		
Seat cushion width	490 mm		
Diameter cruciform base	720 mm		
Backrest height	500 – 570 mm		
Back width, bottom	460 mm		
Load capacity	120 kg		
Seat height (lifting range of gas spring column)	440 – 530 mm 480 – 580 mm 560 – 690 mm 630 – 830 mm		
Distance seat/armrest	140 – 240 mm		
Width adjustment armrests	40 mm		
	<ul style="list-style-type: none"> Black 4038 Mid blue 4058 Blue 4059 Grey 4056 Green/turquoise 4057 Red 4055 Yellow 4054 	<ul style="list-style-type: none"> Black 4061 Blue 4063 White 4060 	<ul style="list-style-type: none"> Black 4050

1.100

THERAPY & WORKING CHAIR MATRIX



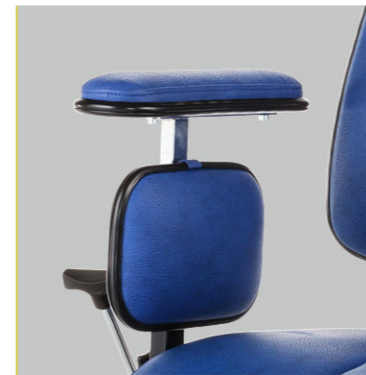
- Model sample
- X base, seat height increase by max. 12 cm
 - Cover imitation leather, black
 - One-piece seat surface
 - Curved armrests
 - Long back, as standard with manual back tilt incl. fixation, operating lever on the left

- Model sample
- X base, seat height increase by max. 12 cm
 - Arthrodesis seat
 - Armrests padded in cover colour
 - Lateral pelottes
 - 3D back with headrest
 - Electrically operated

Order no. 1.100

EXTREMELY FLEXIBLE

Thanks to the modular system, the therapy and working chair MATRIX offers many advantages in terms of its vast adaptation range. Different seats and back shapes enable ergonomic sitting and working, and provide optimum support for the back. The arthrodesis seat is adjustable on both sides. Options such as a foot ring or central locking brake enhance everyday use.



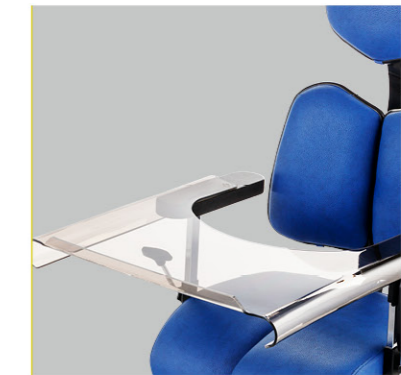
Armrests

- Armrests height and width adjustable
- Armrests swivel back as option (use of pelottes not possible)
- Various armrest cushions
- Straight form for use with therapy table
- Armrest in cover colour, pleasantly soft padding (see above)
- Curved shape



Legrests

- As standard without legrests
- Upper parts of legrests fixed or angle adjustable
- Detachable legrests swing-away inwards and outwards
- With legrests additional length adjustment of 10 cm to thigh length
- Lower legrest with two-piece plastic footplate, 4 cm depth adjustable
- Alternatively folding foot ring (see above)



Optional accessories

- Headrest height, angle and depth adjustable
- Pelottes (pair)
- Acrylic therapy table (see above)
- Side padding (pair)
- Electrical switch mounted on armrest, right or left
- Brake lever extension

Specifications

Seat surface one-piece or two-piece (arthrodesis seat)	400 x 430 mm 460 x 450 mm 480 x 480 mm
Manual seat tilt with fixation	+ 8° forwards - 4° backwards
Seat height taking account of user weight (manual: 50 – 100 kg, 100 – 125 kg, 160 kg; electrical: 125 kg, 160 kg)	manual: 460 – 610 / 490 – 690 mm electrical: 450 – 650 / 410 – 560 mm
Backrest	400 x 420 mm (Ergo) 430 x 520 mm (3D incl. headrest) 430 x 520 mm (Medic) 400 x 320 mm (Standard, short)
Base width	X base: 465 mm H base: 450 mm
Base depth	X base: 515 mm H base: 515 mm
Wheels, smooth running, sealed bearing	100 mm / 125 mm
Brakes	Manual, lever left or right

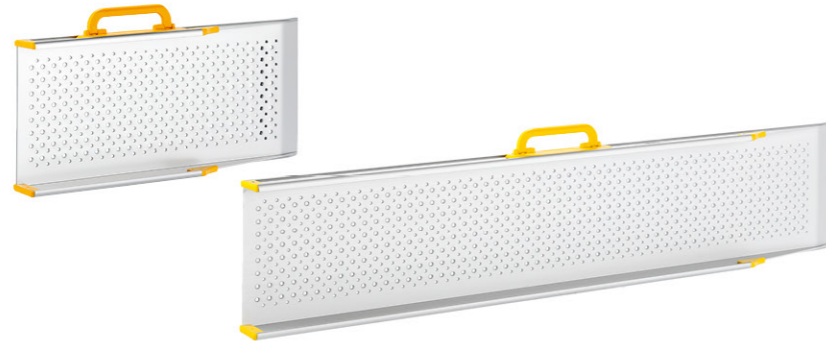
Cover material Soft leather Imitation "Bison"	Cover material Velour "Trevira CS" Flame retardant
anthracite	anthracite
blue	blue
bordeaux	bordeaux
black	black

S
SITTING &
LYING

RAMPS

Aluminium lightweight ramps

The high-quality, TÜV tested aluminium ramps impress with their simple handling and functional features. Perforated tracks ensure an ideal balance between weight and load-bearing capacity. The perforation provides for high slip resistance in wet weather conditions or snow, in addition to which the permeability brings advantages in rain, dirt or snow. The height of the side profiles provides sufficient grip and track stability. The telescopic models are additionally equipped with a safety device.



One-piece ramps



Telescopic ramps

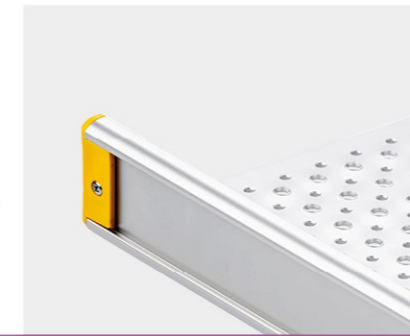
Practical **carry handles** facilitate transport into and out of the car



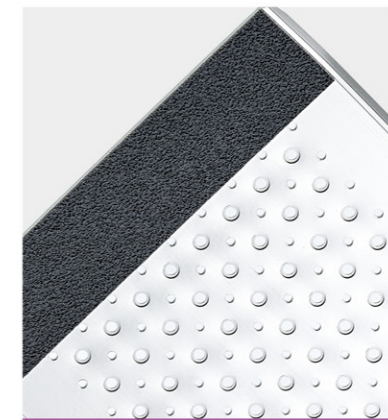
Transport locks prevent the ramp from slipping apart



Smooth edges
Smooth profiles prevent injury due to sharp edges or damage to sensitive surfaces



Slip protection on the contact surface
The slip protection on the underside of the ramp enables it to rest safely on almost all surfaces



Simple **telescopic function** with end lock



Order no.	Description	Length max.	Transport length	Track width	Profile	Edge height	Weight per piece	Max. load/ pair	Shipping unit
3576412	ALR-02:2-piece telescopic	2,030 mm	1,170 mm	195 mm	U	52 mm	5.8 kg	300 kg	pair
3576432	ALR-04:3-piece telescopic	2,900 mm	1,170 mm	180 mm	U	52 mm	8.2 kg	250 kg	pair
3576442	ALR-05:1-piece telescopic	550 mm	550 mm	210 mm	U	52 mm	1.4 kg	400 kg	pair

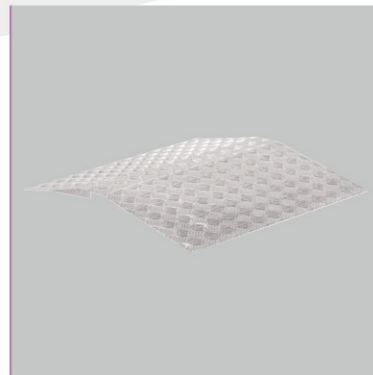
Tips for choosing the right ramp

- The longer the ramp, the safer it is for you, because the gradient angle is then generally lower
- The ramp must not be positioned with a downward staircase as extension
- Ensure that there is sufficient space for the required length of the ramp
- Call out a medical supplier specialist to advise you on site before selecting a ramp. They will also help you with a possible doctor's prescription
- With mobile ramps, always bear in mind the weight for transport
- In the event of varying height differences, a longer telescopic ramp can be advantageous as it allows more flexible adjustments
- It is advisable to choose a telescopic ramp if transport space is restricted.

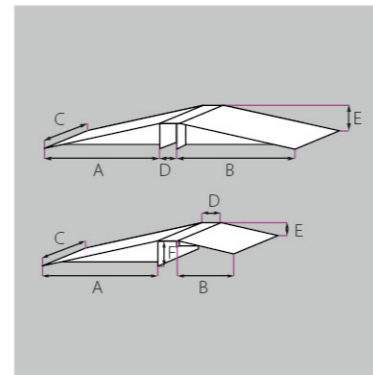
BRIDGES & RAMPS

Overcome thresholds

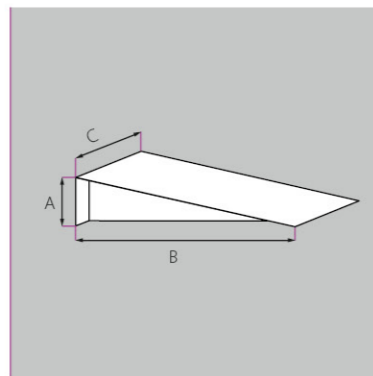
The threshold bridges and ramps enable small hurdles to be quickly and easily overcome. Thanks to custom design, a solution can always be found, whatever the situation.



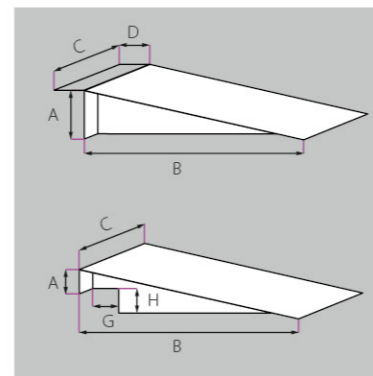
Threshold bridges



- For bridging thresholds
- Also in custom design



Threshold ramps



- Only in custom design

	Threshold bridges	Threshold bridges	Threshold ramps
Order no.	3575012	3575002 3575003	3575502 3575503 3775504
Design	one-piece		
Length max.	560 mm		
Transport length	560 mm		
Track width	700 mm		
Threshold depth	95 mm	Custom design	Custom design
Threshold height	30 mm		
Weight per piece	3.5 kg		
Max. load	400 kg		
Shipping unit	One piece		

FINGER SPLINT & TURNTABLE



Finger splint 23

Order no. 80 80 72 1

- Aluminium
- With foam pad (PU foam)
- Can be cut to the required length
- Individually malleable
- Can be fixed with adhesive plaster or bandage



Turntable 6895

Order no. 30 71 16 2

- Ideal for mobile nursing staff
- Non-slip surface
- High strength
- Water resistant

MORE DAILY LIVING PRODUCTS AND INFORMATION AVAILABLE AT WWW.MEYRA.COM

	Finger splint 23	Turntable 6895
Width	18 mm	330 mm
Height	6 mm	20 mm
Length	500 mm	
Depth		380 mm
Weight		1.2 kg
Footprint		Ø 330 mm
Load capacity		100 kg
Colour		Black / white

3.600
SERVICE

**OUTSTANDINGLY
DURABLE**



FOR UNIVERSAL USE

Our classic model in the standard class. The Service is a very robust wheelchair and has now been used successfully both nationally and internationally for over 15 years.

*Functions
& Details*

Drive wheel
puncture-proof,
detachable, incl.
quick release axle
and pressure brake



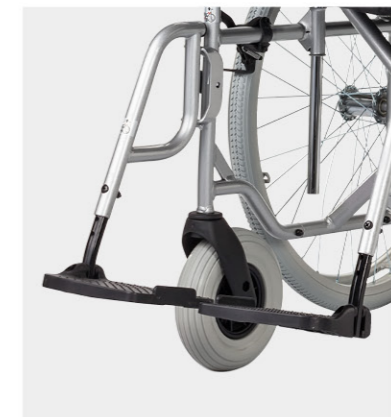
Aluminium
hand rims



Side panel
sloped at the
front with
padded arm-
rest



Legrest
detachable and
swing-away



Clinic version in
chrome



Stepper tube
included



- +** **Clinic version**
available in chrome and imitation leather
- +** **PU armrest**
suitable for therapy table
- +** **Side panels, legrests, drive wheels**
detachable for transport
- +** **Outstandingly durable**

 **SPECIFICATIONS**
STARTING ON PAGE 34

9.050

BUDGET

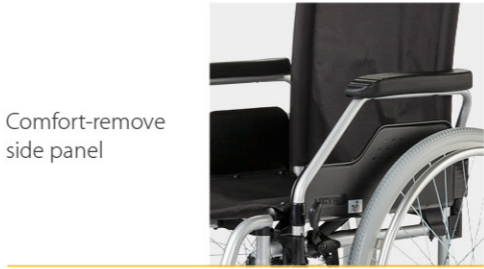
ECONOMICAL CARE
IN THE STANDARD CLASS IN 6 SEAT WIDTHS



ECONOMICAL AND INNOVATIVE

The BUDGET, the robust entry-level model, is designed specially for the current care situation in the standard class. Its high technical variability enables versatile use in geriatric care.

Functions & Details



Comfort-remove side panel



Lockable, backward-folding armrests



Angle adjustable footplates



Knee lever brake



Front seat height adjustable without swapping parts



Stepper tube included

- +** *Pressure or drum brake available as alternative*
- +** *In the modular system of the EUROCHAIR family*
- +** *Geriatric care at home and in the inpatient sector*
- +** *Adjustable seat height*

 **SPECIFICATIONS**
STARTING ON PAGE 34

3.940

FORMAT

**ECONOMICAL CARE
IN THE LIGHTWEIGHT
CLASS IN
6 SEAT WIDTHS**



ECONOMICAL AND INNOVATIVE

The FORMAT is designed specially for the current care situation in the lightweight class. Its high technical variability enables versatile use in geriatric care.

Functions & Details

Comfort-remove side panel



Seat height front variable



Adjustable back strap



Angle adjustable footplates



Depth adjustable seat belt



Safety package optional



- +** *Adjustable backrest*
included as standard
- +** *Angle adjustable footplates*
included as standard
- +** *In the modular system*
of the EUROCHAIR family
- +** *Adjustable seat height*

 **SPECIFICATIONS**
STARTING ON PAGE 34

2.750

EUROCHAIR²

THE
SUCCESSFUL
EUROCHAIR
MODULAR SYSTEM
—
XXL VERSION
AVAILABLE



FOR UNIVERSAL USE: THE EUROCHAIR²

The ORIGINAL in the lightweight class. The extensive standard equipment and equally wide range of accessories enable flexible use and ensure long-term availability of spare parts.

Functions & Details

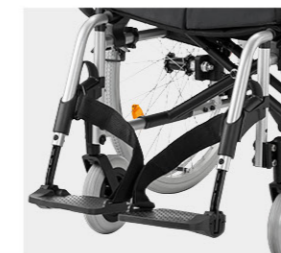
Twin scissor mechanism standard



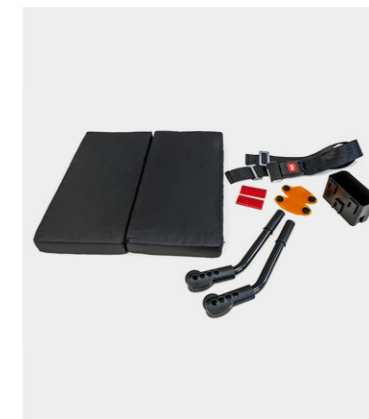
Height-adjustable side panel with depth-adjustable armrest



Detachable, swing-away leg-rests. Footplates angle adjustable, incl. single calf strap



Safety package and seat cushion included



Wheelbase extension by turning the varioblock backwards



Seat depth adjustable



- +** **Seven seat widths**
from 380 - 530 mm
- +** **Optimum reuse**
due to simple adaptation to new user, e.g. back adjustment
- +** **Simple wheelbase extension**
by turning the varioblock
- +** **Safety package and seat cushion included**

 **SPECIFICATIONS**
STARTING ON PAGE 34

SPECIFICATIONS

Dimensional tolerances ± 10 mm, ± 2°, data subject to design changes

	SERVICE 3.600	BUDGET 9.050	FORMAT 3.940	EUROCHAIR ² 2.750 STOCK VERSION
Seat width in mm	400 / 450 ¹⁾ / 480 / 510	380 / 400 / 430 / 460 / 480 / 510	380 / 400 / 430 / 460 / 480 / 510	380 / 400 / 430 / 460 / 480 / 500 / 530
Width, ready to move, in mm	620 / 670 / 700 / 730	560 / 580 / 610 / 640 / 660 / 690	560 / 580 / 610 / 640 / 660 / 690	580 / 600 / 630 / 660 / 680 / 700 / 730
Width, folded, in mm	310	280	280	310
Seat depth in mm	440	430	400 – 430	400 / 430 / 460 with retrofit kit
Seat height, front, in mm	520	470 – 510	470 – 510	variable 470 – 520
Seat height, rear, in mm	490	440 – 490	440 – 490	variable 470 – 520
Total height in mm	920	960	960	930
Back height in mm	400	420	420	400 / 420 / 440
Armrest height in mm	240	210.5	215	210 – 260
Length with / without footrest	1,080 / 780	1,040	1,040	1,050
User weight in kg	120	130	130	130
Empty weight in kg	19	18.5	17.5	17.5
Permissible total weight in kg	139	148.5	147.5	147.5
Transport weight in kg	11	11.5	10.5	10
Drive wheel in mm (inches)	610 (24")	610 (24")	610 (24")	616 (24")
Brake test in accordance with STANDARD in degrees				7°

MORE
WHEELCHAIRS AND
INFORMATION
AVAILABLE AT
—
WWW.MEYRA.COM



¹⁾only seat width 450 available in imitation leather



MEYRA GmbH
Meyra-Ring 2
D-32689 Kalletal-Kalldorf

✉ info@meyra.de
Fax: +49 5733 922 - 9311
www.meyra.com



**Your direct
line
to our
service divisions**

Switchboard	+49 5733 922 - 0
Wheelchairs	+49 5733 922 - 311
Rehab	+49 5733 922 - 355
Spare parts	+49 5733 922 - 333
Repairs / Customer Service	+49 5733 922 - 366
Advertising material	+49 5733 922 - 234
Accounting	+49 5733 922 - 142