



Etac Clean
shower commode chairs

 etac®

Etac Clean

Etac Clean is secure, safe and simple for both users and carers. With practical functionality and design, every detail of the chair has been developed to give the user a positive and safe bathroom experience.

Easy to fit and manouevre

Etac Clean is extremely easy to operate, thanks to the width of the push handle. The clever design can be seen throughout the entire chair. The upright handle ensures that Clean is a perfect fit, even over wall-mounted toilets, and the chair is open at the back to facilitate access.

Comfortable and practical foot support

The foot support is unique and can be pushed under the seat when not in use. The soft curved surface provides good comfort for the feet, which are also protected by the foot support's side protection.

All other variants of Clean also have these features, but with additional functionality to meet other needs.



Etac Clean shower commode chair

44 cm (17¼"), 4 lockable castors
49 cm (19¼"), 4 lockable castors
49 cm (19¼"), 2 lockable castors
49 cm (19¼"), 4 lockable wheels, backrest upholstery, panholder
49 cm (19¼"), 2 lockable castors, soft back
55 cm (21¾"), 4 lockable wheels, backrest upholstery, panholder
55 cm (21¾"), 4 lockable castors
55 cm (21¾"), 2 lockable castors
55 cm (21¾"), 2 lockable castors, soft back
60 cm (23½"), 2 lockable castors incl. heightening spacers

Etac Clean shower commode chair - double box

49 cm (19¼"), 4 lockable castors, double box
49 cm (19¼"), 2 lockable castors, double box
55 cm (21¾"), 4 lockable castors, double box
55 cm (21¾"), 2 lockable castors, double box

Weight

44 cm: 13.5 kg
49 cm: 14.0 kg
55 cm: 14.5 kg
60 cm: 15 kg

Maximum user weight
130 kg

Material

Chassis: Powder-painted steel tubing
Seat/back support: Polypropylene
Arm supports: Polypropylene
Foot support: Polypropylene
Castor brackets: Polyamide
Castors, lockable, ball-bearing: Polyamide/TPE

White

80229269
80229270
80229273
80229286
80229305
80229287
80229271
80229274
80229306
80229275

Lagoon green

80229209
80229210
80229213
-
-
-
80229211
80229214
-
80229215

White

-
80229283
80229281
80229284

Lagoon green

80229220
80229223
80229221
80229224

Maintenance

Clean the product with a solvent-free cleaning agent (pH level 5–9), or with a 70 % disinfectant solution. Can be decontaminated at max 85° C / 185° F if so required.



Features



Slim but roomy

The smart design gives Etac Clean a large and comfortable seating area even though the chair is neat and slim.



Fits over the toilet

Thanks to the upright operating handle, the chair is a perfect fit, even over wall-mounted toilets.



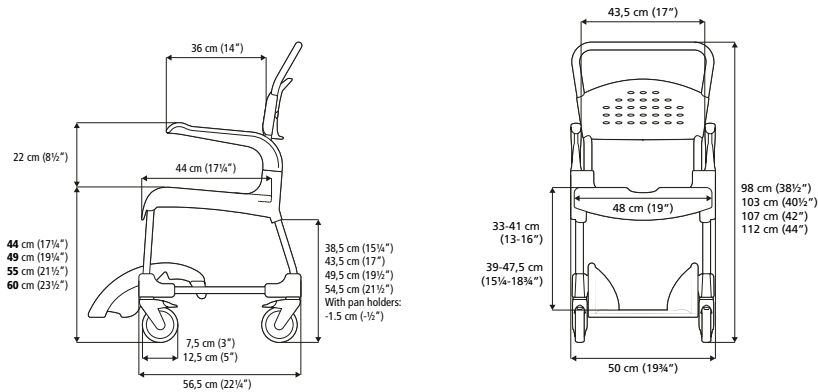
Easy access

The chair is open at the back to facilitate access for hygiene purposes.



Foot support designed for feet

The practical foot support has a soft, rounded shape which gives the feet extra comfort and protection.



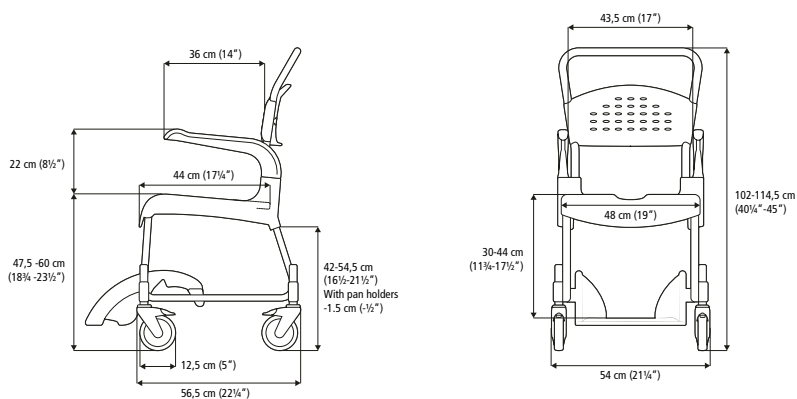
Etac Clean Height Adjustable

In addition to all the features of the basic model, this variant allows you to adjust the height of the seat.

Adjust the height for a perfect fit

The possibility of adjusting the seat height means that Etac Clean Height Adjustable can be tailor-made to suit the user's needs – for example to make transfers easier or to fit perfectly over the toilet. Adjustment is simple and no tools are required.

Etac Clean Height Adjustable has the same basic benefits as the other members of the Clean family – but is also height-adjustable up to 60 cm, and has a greater range of foot supports and calf supports.



Etac Clean Height Adjustable

4 lockable wheels, white

80229208

Weight

14.2 kg

Maximum user weight

130 kg

Material

Chassis: Powder coated steel tubing
 Seat/Back support: Polypropylene
 Arm supports: Polypropylene
 Foot support: Polypropylene
 Castors with ball, bearings: Polyamide/TPE/
 Stainless steel tubing
 Castor height adjustment tubes: Stainless steel

Maintenance

Clean the product with a solvent-free cleaning agent (pH level 5–9), or with a 70% disinfectant solution. Can be decontaminated at max 85°C / 185°F if so required.



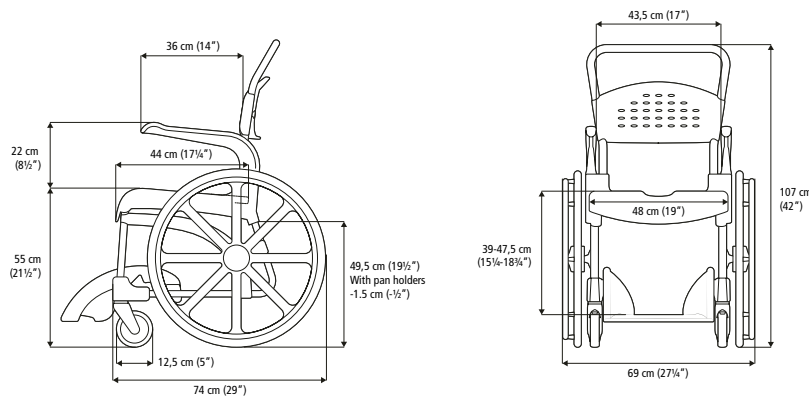
Etac Clean 24"

This variant of Etac Clean is suitable for those who can operate the chair independently and want to maximise their mobility.

Easy to manoeuvre, for the independent user

The Etac Clean 24-inch wheels are positioned to make it easy to manoeuvre the chair without compromising user safety or comfort. It is easy to transfer to and from the chair thanks to the large, unrestricted seat in front of the wheels. The brake handles are also positioned below the seat so that they do not get in the way during transfer, while remaining easy to reach.

Etac Clean 24" has the same basic benefits as the other members of the Clean family – but allows the user to operate the chair independently.



Etac Clean 24"

55 cm (21 $\frac{1}{2}$ ") with 24" rear wheels, white
55 cm (21 $\frac{1}{2}$ ") with 24" rear wheels, lagoon green

80229276
80229216

Weight

20 kg

Maximum user weight

130 kg

Material

Rear wheel adapter: aluminum
Rear wheels: polyamide, solid tires
Chassis: Powder-painted steel tubing
Seat/back support: Polypropylene
Arm supports: Polypropylene
Foot support: Polypropylene
Castor brackets: Polyamide
Castors, ball-bearing: Polyamide/TPE

Maintenance

Clean the product with a solvent-free cleaning agent (pH level 5–9), or with a 70% disinfectant solution. Can be decontaminated at max 85°C / 185°F if so required.



Accessories



Soft back support

80209225
Adjustable.
Washing at max 60°C (140°F).



Soft pad

Grey: 80209260
Heat-reflecting with a non-slip surface. Recess width: 17 cm (6¾").
Material: polyethylene.
Cleaning max max. 60° C (140 °F) or with alcohol wipe.



Side Support

80209509
Adjustable in width. Material: Polyester fabric, Velcro, polyethylene.
Washing at max. 60° C (140°F).
Can not be used in combination with: 80209225.



Soft back pad

Grey: 80209261
Heat-reflecting with a non-slip surface. Material: polyethylene.
Cleaning max. 60° C (140°F) or with alcohol wipe.



Crossbar

80209246
Attached to the arm supports.
Material: Aluminium, cellular polyethylene, polypropylene.
Can not be used in combination with: 80209228, 80209237 and 80209226.



Seat cover

80209247
When a complete seat is required.
Material: Polyurethane.
Cleaning max. 85° C (185°F) or with alcohol wipe.



Chest harness strap

80209442
Adjustable in length. Attach to soft back support. Material: Polyester.



Comfort Kit

80209237
Includes both Comfort Seat Soft and Comfort Cover. Cleaning max. 60° C (140 °F) or with alcohol wipe.
Can not be used in combination with: 80209225 and 80209246.



Positioning belt

80209440
Adjustable in length. Attachment with velcro straps.
Material: Polyester.



Comfort Cover

80209228
A soft back support with integrated arm support pads. Material: polyethylene. Cleaning max. 60° C (140 °F) or with alcohol wipe.
Can not be used in combination with: 80209225 and 80209246.



Safety strap

80209034
Attachments on the rear side of the back support. Always use together with positioning belt. Material: Polyester. *Can not be used in combination with: 80209225.*



Comfort Arm Pads

80209226
Soft and warm, leaving the handles free to ensure a firm grip when standing up. Material: polyethylene. Cleaning max. 60° C (140 °F) or with alcohol wipe. *Can not be used in combination with: 80209246.*



Cushion, protect

80209245
Air-inflated ROHO cushion with excellent pressure distribution properties. Adjustable air pressure. Recess width: 21 cm (8¼"). Material: Neoprene. Cleaning max: 60° C (140°F).



Comfort Seat Soft

Small opening width 15 cm (6"): 80209301
narrow opening width 18 cm (7"): 80209227
A soft contoured seat. Material: polyurethane. Cleaning max. 85° C (185°F) or with alcohol wipe.

Accessories



Soap dish (does not fit Clean 24")

Grey: 80209266
Attaches to the side of the seat.
Built-in shower handle holder.
Material: Polypropylene.
(Does not fit Clean 24")



Bucket holder

Grey: 80209258
Fits Bucket with handle and lid
and other buckets with a thick rim.
Material: Polypropylene.



Pan

Grey: 80209254
Material: polypropylene.

Pan incl. lid with handle

Grey: 80209255
Material: Polypropylene.



Attachment for low mounting of pan/bucket

Grey: 80209259
Fitted to the pan/bucket holder.
Lowers the pan/bucket holder with 6 cm (2½"). Material: Polypropylene.



Pan holder

Grey: 80209257
Fits both pan, bedpan and regular hospital pans with a thin rim.



Disposable pans

80209282
Strong and firm. 50 pcs.



Bucket with handle and lid

80302026
The bucket holder is not included.
Material: Polypropylene.



Disposable pan holder kit

Grey: 80209229
Fits Disposable pan.

Additional accessories – Clean Height Adjustable only



Flip up foot supports

80209250
Removable, adjustable height.
Attachments included.
Material: powder coated aluminum and polypropylene foot supports.



Elevating leg support

Right: 80209252
Left: 80209253
Attachments included.
Material: ABS plastic, stainless.

Additional accessories – Clean 49 and 55 cm only



Rear wheel adapter

White: 80209262
Material: Aluminium, polyamide.



Heightening kit with wheels

White, 4 pcs: 80209511
Lagoon green, 4 pcs: 80209512
Raise the seat by 5 cm (2").
Material: Aluminium.



75 mm (3") castors

White, front, pair: 80209515
White, back pair: 80209516
Lagoon green, front, pair: 80209513
Lagoon green, back, pair: 80209514
Reduce seat height by 5 cm (2").
Mounted on Clean 44 cm as standard. Material: polyamide/TPE.



"Everyone should be able to live a free and independent life and pursue their dreams regardless of any physical circumstances."

etac[®]

Creating Possibilities

novis

Pressure care and patient handling specialists

novis.com.au / 1300 738 885