

## All Terrain Wheeled Walker



Soft touch braking mechanism

Height adjustable handles (820-950mm)

Lightweight alloy with tube-in-tube construction for increased strength

Compact fold down design

203 mm (8 inch) castors

Durable moulded orthopedic handgrip

Foam backrest

Vinyl covered foam seat with concealed PVC seat pouch

Removable basket and bag

The All Terrain Wheeled Walker is the ideal choice for general outdoor use. The alloy frame makes this wheeled walker especially lightweight, while the tube-in-tube construction significantly increases stability and durability. Eight inch castors provide increased mobility on uneven, outdoor or rough terrain surfaces.

The durable moulded handgrips with soft touch brakes are ideal for people with limited strength or mobility; maximising user comfort by minimising pressure on the hand. Handle height can be adjusted easily to best suit the user, with an extension range of 130 mm to suit users of average weight and height.

The fully moulded PU seat is completely seamless, reducing the potential for skin tear or abrasion, plus foam backrest for added comfort when seated. Cleverly concealed beneath the seat is a PVC pouch, offering additional security for small personal valuables.



# All Terrain Wheeled Walker

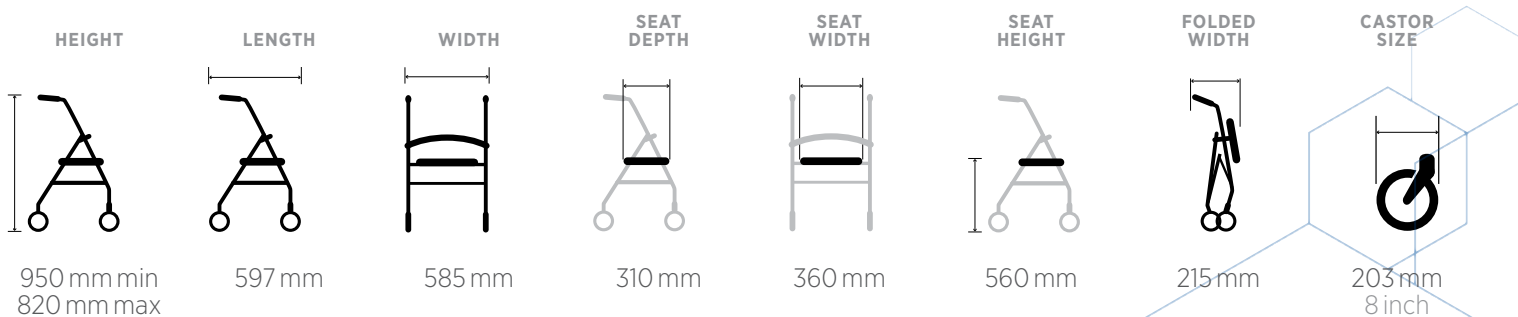


With the added convenience of both basket and bag that can be used together (basket fits inside the bag to conceal contents) or individually. Both items are removable, for the security and transport of goods when leaving the wheeled walker unattended.

Easy closing mechanism and compact fold down design for convenient transport or storage.

Available in cherry red or sky blue.

Colour	Cherry Red	Sky Blue
Code	BL1423	BL5179
Capacity	130 kg	
Weight	8.5 kg	
Conforms to	ARTG176830 ISO 11199-3:2005	
Warranty	1 year	



THERAPEUTIC DEVICES SHOULD ONLY BE USED IN ACCORDANCE WITH MANUFACTURERS INSTRUCTIONS AND UNDER THE CONSENT, SUPERVISION AND MANAGEMENT OF A SUITABLY QUALIFIED HEALTH PROFESSIONAL.